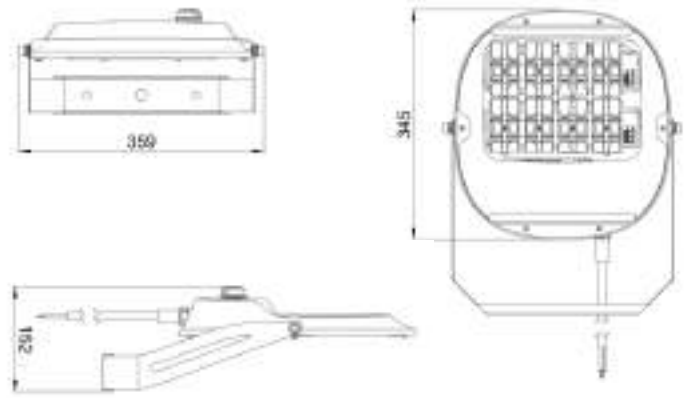


# GIOTTO SPORT

## Technical Data Sheet



### PRODUCT FEATURES

<b>Voltage</b>	220÷240 V ac
<b>Frequency</b>	50/60 Hz
<b>Electrical safety class</b>	I
<b>Control system</b>	F – Fixed (standard) D – DALI2
<b>Service environment temperature</b>	-30° ÷ +50°
<b>Storage room temperature</b>	-40° ÷ +80°
<b>Driving current</b>	Up to 525 mA
<b>Certifications</b>	CE, RoHS, EN60598-1, EN60598-2-3
<b>System efficacy</b>	Fino a 150 lm/W
<b>Surge protection</b>	10 kV com - 6 kV dif

### DRIVER FEATURE

<b>Power factor (full-load)</b>	> 0,90
<b>Lifetime</b>	> 100.000 hours
<b>Power supply failure rate for 50,000 hours</b>	< 10%
<b>IP driver compartment</b>	IP66

### MECHANICAL FEATURES

<b>Body</b>	Die-cast aluminum EN 44300
<b>Total weight</b>	3,5 kg
<b>Ingress protection</b>	IP66
<b>Shock protection</b>	IK08
<b>Painting</b>	Polyester powder paint
<b>Gasket</b>	Silicone based gasket
<b>Color</b>	Anthracite
<b>Diffuser</b>	4 mm extra clear tempered glass
<b>External screws</b>	Stainless steel A2
<b>Brackets</b>	Stainless steel AISI 304
<b>Mounting</b>	Projector bracket Wall mounting

### LED MODULE FEATURE

<b>Color temperature</b>	4000 K (3000 K e 5700 K optional)
<b>Color rendering index</b>	> 70 (80 optional)
<b>LEDs' chromatic positioning</b>	MacAdam step ≤ 5
<b>Lifetime L80B10</b>	> 120.000 hours (25°C T amb)

Giotto Sport standard version Optics \*\*32 – 33 – 39 – 40

CODE	FLUX (lm) @4000k	POWER (W)	EFFICIENCY (lm/W)
GIO0028FR00**G04Px	2800	18	149
GIO0039FR00**G04Px	3900	26	146
GIO0054FR00**G04Px	5400	37	144
GIO0066FR00**G04Px	6700	50	134
GIO0087FR00**G08Px	8600	61	141
GIO0100FR00**G08Px	10300	70	147
GIO0125FR00**G08Px	12600	90	140
GIO0135FR00**G08Px	13900	103	136

Giotto Sport DALI2 version Optics \*\*32 – 33 – 39 – 40

CODE	FLUX (lm) @4000k	POWER (W)	EFFICIENCY (lm/W)
GIO0028DR00**G04Px	2800	18	149
GIO0039DR00**G04Px	3900	26	146
GIO0054DR00**G04Px	5400	37	144
GIO0066DR00**G04Px	6700	50	134
GIO0087DR00**G08Px	8600	61	141
GIO0100DR00**G08Px	10300	70	147
GIO0125DR00**G08Px	12600	90	140
GIO0135DR00**G08Px	13900	103	136

x Bracket type  
P=projector  
C=wall mounting

Visit [www.ariannaled.com](http://www.ariannaled.com) for the complete list of certified products.

Flux and power data are corresponding to typical values referring to ambient temperature (Ta) equal to 25° C or 77° F with tolerance ± 7%  
In order to facilitate continuous updating of products Arianna spa reserves the right to make changes without notice

Arianna spa via dell'Industria 17A - 35028 Piove di Sacco (PD) t +39 049 7389920 f +39 049 7389924  
infoexport@ariannaled.com/www.ariannaled.com P.I. 04387780283

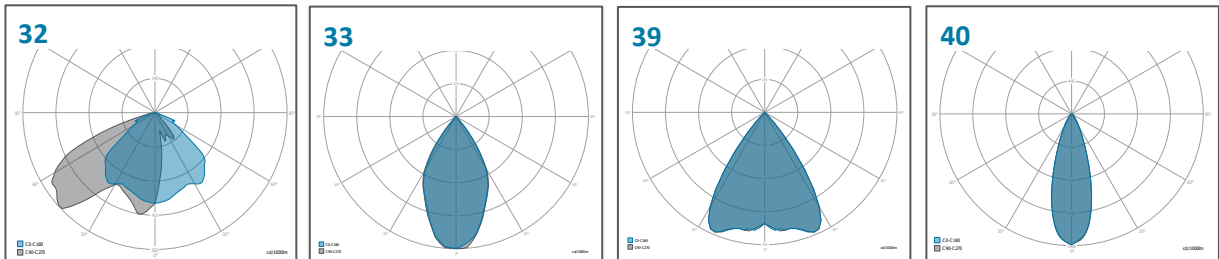
**\*arianna**  
light looking forward  
\* \* \* \* \*

Rev Aug 2023

# GIOTTO SPORT

## Technical Data Sheet

### AVAILABLE OPTICS



### Code structure

POSITION 1,2,3	PRODUCT FAMILY	GIO	Giotto
POSITION 4,5,6,7	FLUX	0125	12500 lm
POSITION 8	POWER SUPPLY PROGRAM	F	Fixed
		D	DALI2
POSITION 9	CCT + CRI	R	4000K – CRI 70
		O	4000K – CRI 80
		S	5700K – CRI 70
		T	5700K – CRI 80
		X	3000K – CRI 70
		W	3000K – CRI 80
POSITION 10,11,12,13	OPTIC	0032	Asymmetric Optic
		0033	Optic 50°
		0039	Optic 90°
		0040	Optic 30°
POSITION 14	COLOUR	G	Anthracite RAL 7016
POSITION 15,16	NB. OF OPTICS	02	2 ÷ 8 optics
POSITION 17	FIXING MODE/APPLICATION	P	Projector
POSITION 18	BRACKET TYPE	P	Projector bracket
		C	Wall mounting

### EXAMPLE: Giotto projector 8 optics, Anthracite, 12500 lm – 4000K CRI 70, optic 32 and projector bracket

<b>COD</b>	<b>G</b>	<b>I</b>	<b>O</b>	<b>0</b>	<b>1</b>	<b>2</b>	<b>5</b>	<b>F</b>	<b>R</b>	<b>0</b>	<b>0</b>	<b>3</b>	<b>2</b>	<b>G</b>	<b>0</b>	<b>8</b>	<b>P</b>	<b>P</b>
POS.	1	2	3	4	5	6	7	8	9	10	11	12	13	14	15	16	17	18

The resulting code is: **GIO0125FR0032G08PP**

Visit [www.ariannaed.com](http://www.ariannaed.com) for the complete list of certified products.

Flux and power data are corresponding to typical values referring to ambient temperature (Ta) equal to 25° C or 77° F with tolerance ± 7%  
In order to facilitate continuous updating of products Arianna spa reserves the right to make changes without notice

Arianna spa via dell'Industria 17A - 35028 Piove di Sacco (PD) t +39 049 7389920 f +39 049 7389924  
infoexport@ariannaed.com/www.ariannaed.com P.I. 04387780283